

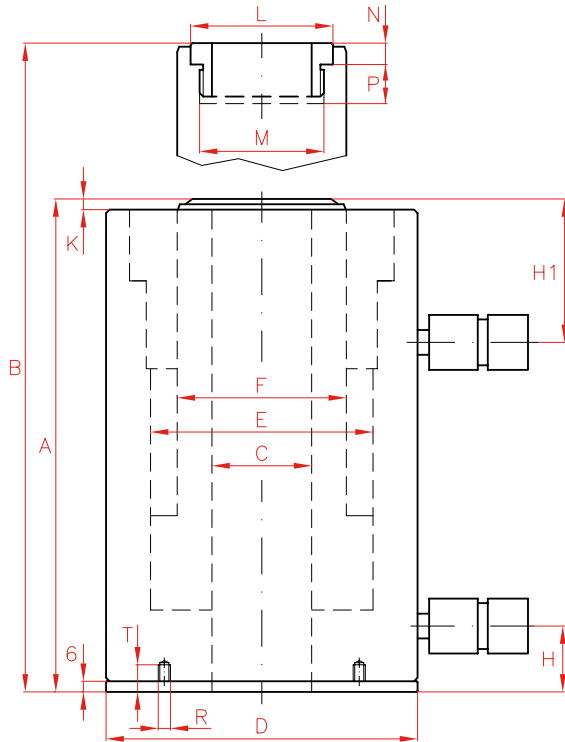
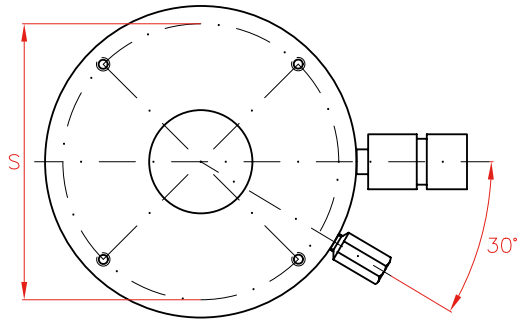
ALUMINIUM DOUBLE ACTING, HOLLOW PISTON CYLINDERS



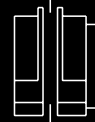
LARZEP advantages

- Capacity from 30 to 150 Tn, stroke up to 250 mm.
- For push and pull operations: Tensioning cables and bolts, pulling sleeves and bearings.
- Made out of high strength aluminium alloy.
- All aluminium parts are treated to improve resistance and extend working life.
- Lightweight. Over 40% weight reduction when compared with steel equivalent.
- Fitted with steel base plate for wear resistance.
- External safety valve to prevent accidental over-pressure.
- Hollow plain saddle as standard. Optional solid or threaded saddles available.
- Not suitable for high cycle applications.

Capacity Tn	Stroke mm	Model LARZEP	Capacity (kN)		Oil Cap. cm ³
			Push	Pull	
30	50	DAH03005	302	173	220
	100	DAH03010	302	173	440
	150	DAH03015	302	173	660
	200	DAH03020	302	173	880
	250	DAH03025	302	173	1.100
60	50	DAH06005	578	356	421
	100	DAH06010	578	356	842
	150	DAH06015	578	356	1.263
	200	DAH06020	578	356	1.684
	250	DAH06025	578	356	2.105
100	50	DAH10005	1.019	647	742
	100	DAH10010	1.019	647	1.484
	150	DAH10015	1.019	647	2.226
	200	DAH10020	1.019	647	2.968
	250	DAH10025	1.019	647	3.710
150	50	DAH15005	1.408	567	1.025
	100	DAH15010	1.408	567	2.050
	150	DAH15015	1.408	567	3.075
	200	DAH15020	1.408	567	4.100
	250	DAH15025	1.408	567	5.125



ALUM. D/A HOLLOW PISTON



DAH

30-150 Tn.

700 bar



Double Acting Hollow Piston Cylinders, DH.

Page. 64



Powerpacks.

Page. 88

	A	B	C	D	E	F	H	H1	K	L	M	N	P	R	S	T	Area	Weight	Model
	mm	mm	mm	mm	mm	mm	mm	mm	mm	mm	UN	mm	mm		mm	mm	cm ²	kg	LARZEP
	217	267	33	130	90	70	32	61	4	55	1 11/13"-16	9	22	M6	110	19	44	7	DAH03005
	267	367	33	130	90	70	32	61	4	55	1 11/13"-16	9	22	M6	110	19	44	9	DAH03010
	317	467	33	130	90	70	32	61	4	55	1 11/13"-16	9	22	M6	110	19	44	12	DAH03015
	367	567	33	130	90	70	32	61	4	55	1 11/13"-16	9	22	M6	110	19	44	13	DAH03020
	417	667	33	130	90	70	32	61	4	55	1 11/13"-16	9	22	M6	110	19	44	15	DAH03025
	225	275	56	175	125	95	37	66	4	80	2 3/4"-16	12	22	M6	155	19	84	13	DAH06005
	275	375	56	175	125	95	37	66	4	80	2 3/4"-16	12	22	M6	155	19	84	16	DAH06010
	325	475	56	175	125	95	37	66	4	80	2 3/4"-16	12	22	M6	155	19	84	19	DAH06015
	375	575	56	175	125	95	37	66	4	80	2 3/4"-16	12	22	M6	155	19	84	22	DAH06020
	425	675	56	175	125	95	37	66	4	80	2 3/4"-16	12	22	M6	155	19	84	25	DAH06025
	256	306	81	235	170	130	40	80	6	116	4"-16	13	25	M6	215	19	148	27	DAH10005
	306	406	81	235	170	130	40	80	6	116	4"-16	13	25	M6	215	19	148	33	DAH10010
	356	506	81	235	170	130	40	80	6	116	4"-16	13	25	M6	215	19	148	38	DAH10015
	406	606	81	235	170	130	40	80	6	116	4"-16	13	25	M6	215	19	148	43	DAH10020
	456	706	81	235	170	130	40	80	6	116	4"-16	13	25	M6	215	19	148	49	DAH10025
	261	311	81	260	190	160	50	80	10	135	4 1/4"-12	20	40	M6	240	19	205	36	DAH15005
	311	411	81	260	190	160	50	80	10	135	4 1/4"-12	20	40	M6	240	19	205	43	DAH15010
	361	511	81	260	190	160	50	80	10	135	4 1/4"-12	20	40	M6	240	19	205	51	DAH15015
	411	611	81	260	190	160	50	80	10	135	4 1/4"-12	20	40	M6	240	19	205	57	DAH15020
	461	711	81	260	190	160	50	80	10	135	4 1/4"-12	20	40	M6	240	19	205	64	DAH15025